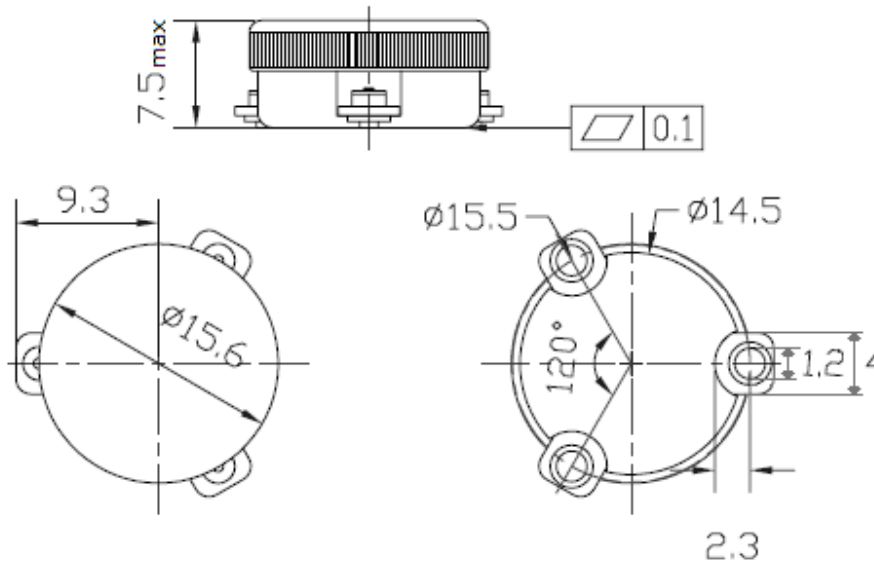


Features

- Microwave Circulators and Isolators for base station
- Metal Package for **Surface Mounted Technology (SMT)**
- Lead-free Production and **RoHS** Compliance

Package Dimensions



<p style="text-align: center;">Marking</p> <p style="text-align: center;">****</p> <p style="text-align: center;">I → O</p> <p style="text-align: center;">2.01-2.025GHz</p> <p style="text-align: center;">NDC9097</p> <p style="text-align: center;">L</p>	Top View, Laser Marking					
	"ND":	Manufacturer's mark			"C":	Circulator
	"9097":	Part number			→	Conduct Direction
	"I"	IN	"O"	OUT	"L"	LOAD
		2.01-2.025GHz : operating Frequency Range				
	"*":	Lot number (the first two numbers of years and the last two numbers of weeks)				

Maximum Ratings

Rating	Value	Unit
Average Power	P_{AVG} 100	W
Operating Temperature Range	T_A -40 ~ +85	°C
Storage Temperature Range	T_{stg} -55 ~ +125	°C

Electrical Characteristics

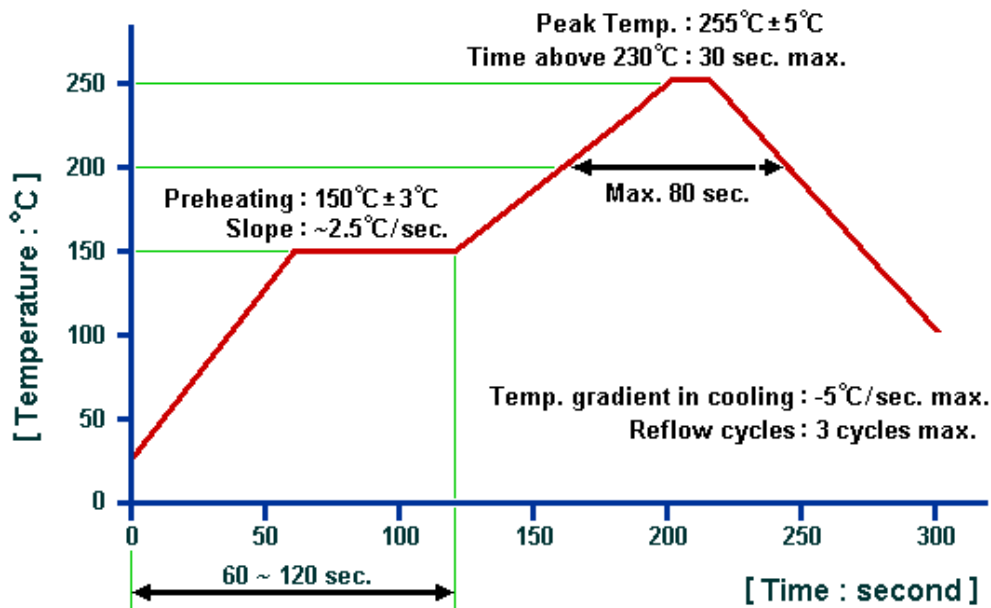
Reference temperature: $T_A = 25\text{ }^\circ\text{C}$
 Terminating source impedance: $Z_S = 50\ \Omega$
 Terminating load impedance: $Z_L = 50\ \Omega$

Characteristic (-40~+85)		Min.	Typ.	Max.	Unit
Working frequency	f_c	2.01		2.025	GHz
Insertion attenuation	IL	—	0.25	0.3	dB
Isolation		21	23	—	dB
Input Return Loss		21	23		dB
Output Return Loss		21	23		dB
IMD(2X40W, 5MHz space)		60			dBc

RoHS Compliant

Electrostatic Sensitive Device

Recommended Soldering Profile



© NEDI 2014. All Rights Reserved.

Our liability is only assumed for the circulator and isolator component(s) per se, not for applications, processes and circuits implemented within components or assemblies.

For questions on technology, prices and delivery, please contact our sales offices or e-mail winnsky@winnsky.com.